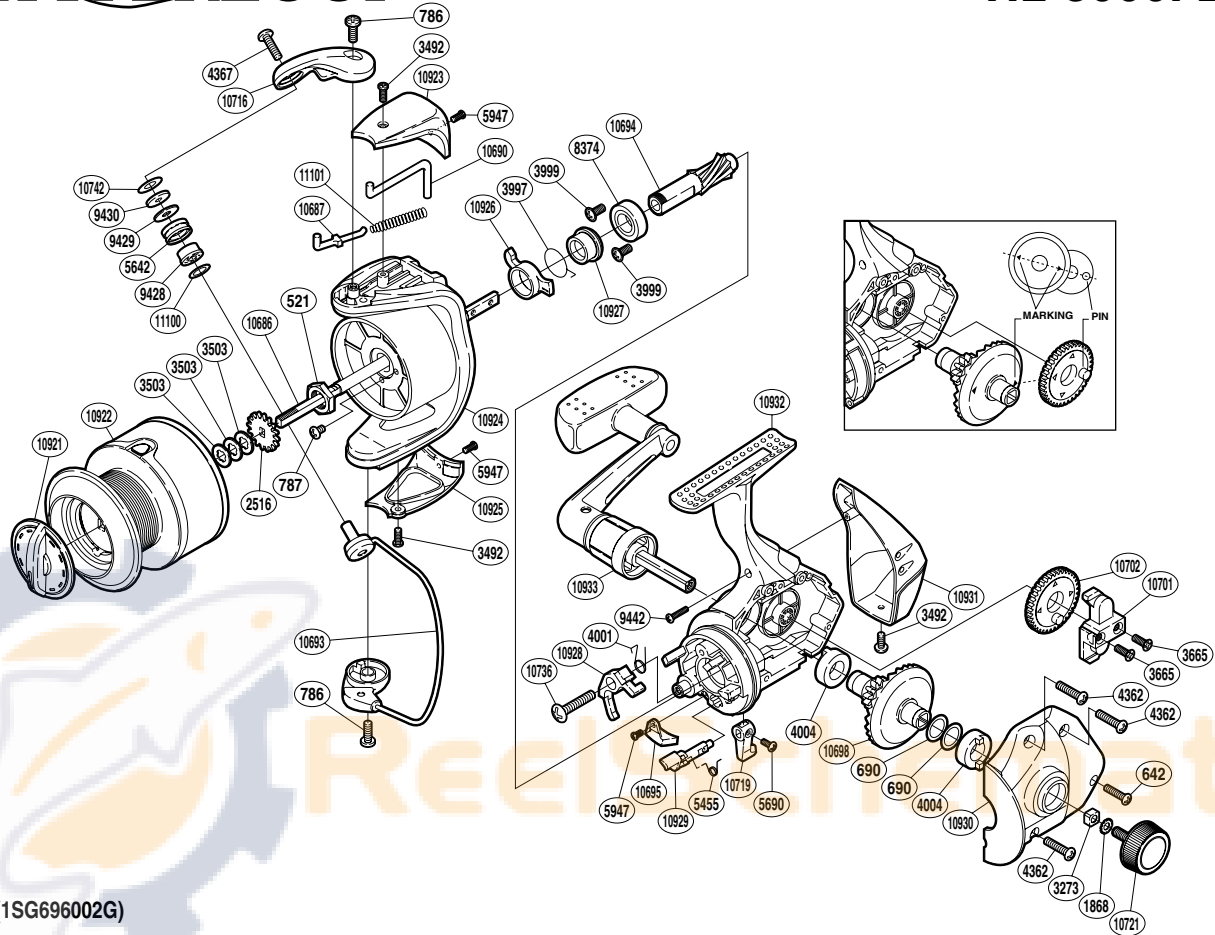


SHIMANO®

HYPERLOOP

HL-6000FB



(1SG696002G)

Part No.	Description	Part No.	Description	Part No.	Description
RD 0521	Rotor Nut	RD 5690	Screw	RD10736	Screw
RD 0642	Screw	RD 5947	Screw	RD10742	Spacer
RD 0690	Washer	RD 8374	Ball Bearing	RD10921	Drag Knob
RD 0786	Screw	RD 9428	Line Roller Bushing	RD10922	Spool Assembly
RD 0787	Screw	RD 9429	Line Roller Spacer	RD10923	Bail Spring Cover
RD 1868	Lock Washer	RD 9430	Line Roller Washer	RD10924	Rotor
RD 2516	Spool Support	RD 9442	Screw	RD10925	Bail Hold Support Guard
RD 3273	Handle Screw Lock	RD10686	Main Shaft	RD10926	Anti-Reverse Lock Out
RD 3492	Screw	RD10687	Bail Spring Guide A	RD10927	Lock Out Spring Holder
RD 3503	Spool Washer	RD10690	Bail Trip Lever	RD10928	Anti-Reverse Pawl
RD 3665	Screw	RD10693	Bail Assembly	RD10929	Anti-Reverse Cam
RD 3997	Anti-Reverse Lock Out Spring	RD10694	Pinion Gear	RD10930	Side Cover
RD 3999	Screw	RD10695	Bail Trip Strike	RD10931	Rear Protector
RD 4001	Anti-Reverse Pawl Spring	RD10698	Drive Gear	RD10932	Body
RD 4004	Drive Gear Bushing	RD10701	Oscillating Slider	RD10933	Handle Assembly
RD 4362	Screw	RD10702	Oscillating Gear	RD11100	Washer
RD 4367	Screw	RD10716	Bail Arm	RD11101	Bail Spring
RD 5455	Anti-Reverse Cam Spring	RD10719	Anti-Reverse Lever		
RD 5642	Line Roller	RD10721	Handle Screw Cap		